

# Instruction Sheet

## Y5537A Rack Mount Kit

### Introduction

The Y5537A Rack Mount Kit Instruction Sheet provides instructions for mounting the 5500A Multi-Product Calibrator, 268XA Data Acquisition/Data Logging System, and 6100A Electrical power standard in a standard 19.12-inch, panel opening, E.I.A. universal spacing equipment rack.

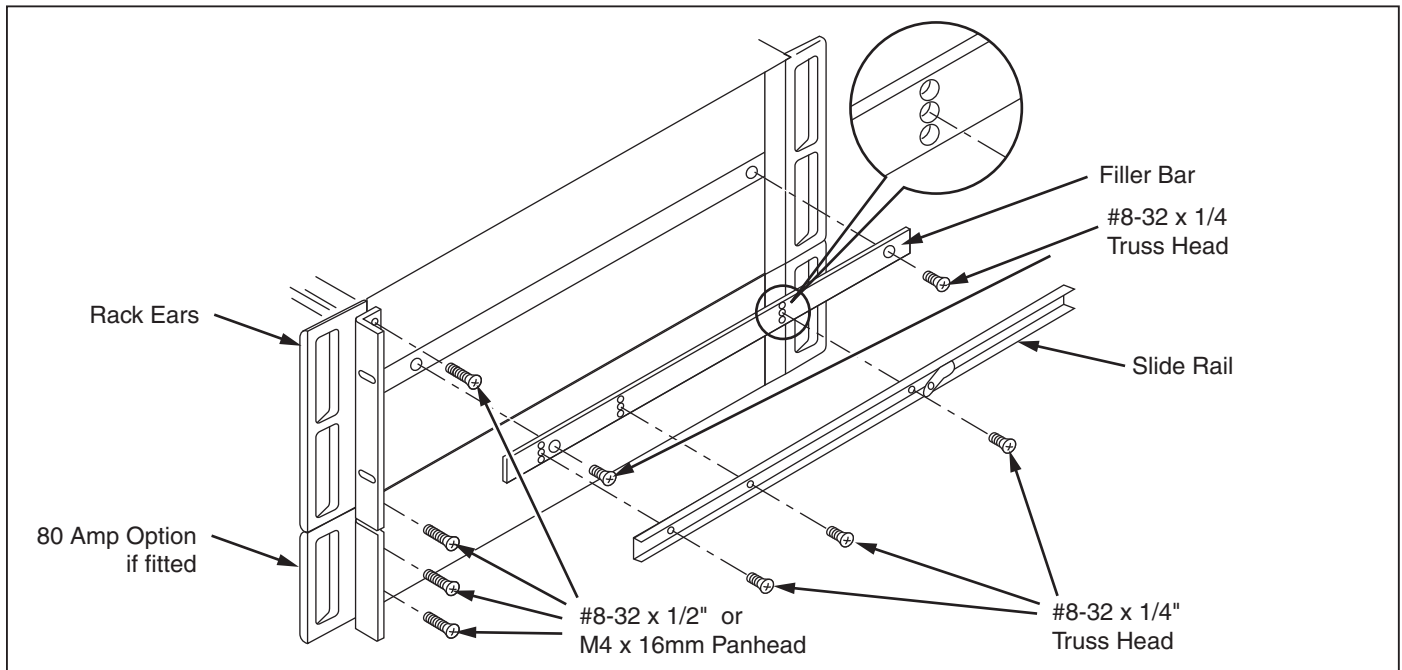
### Preparation

Before installing the rack mount kit, remove the top and bottom screws from the sides of the handles on the front of the device. Leave the center screws installed. Remove the plastic filler strips from the sides of the device by prying one end of each strip free using a screw driver.

### Installation

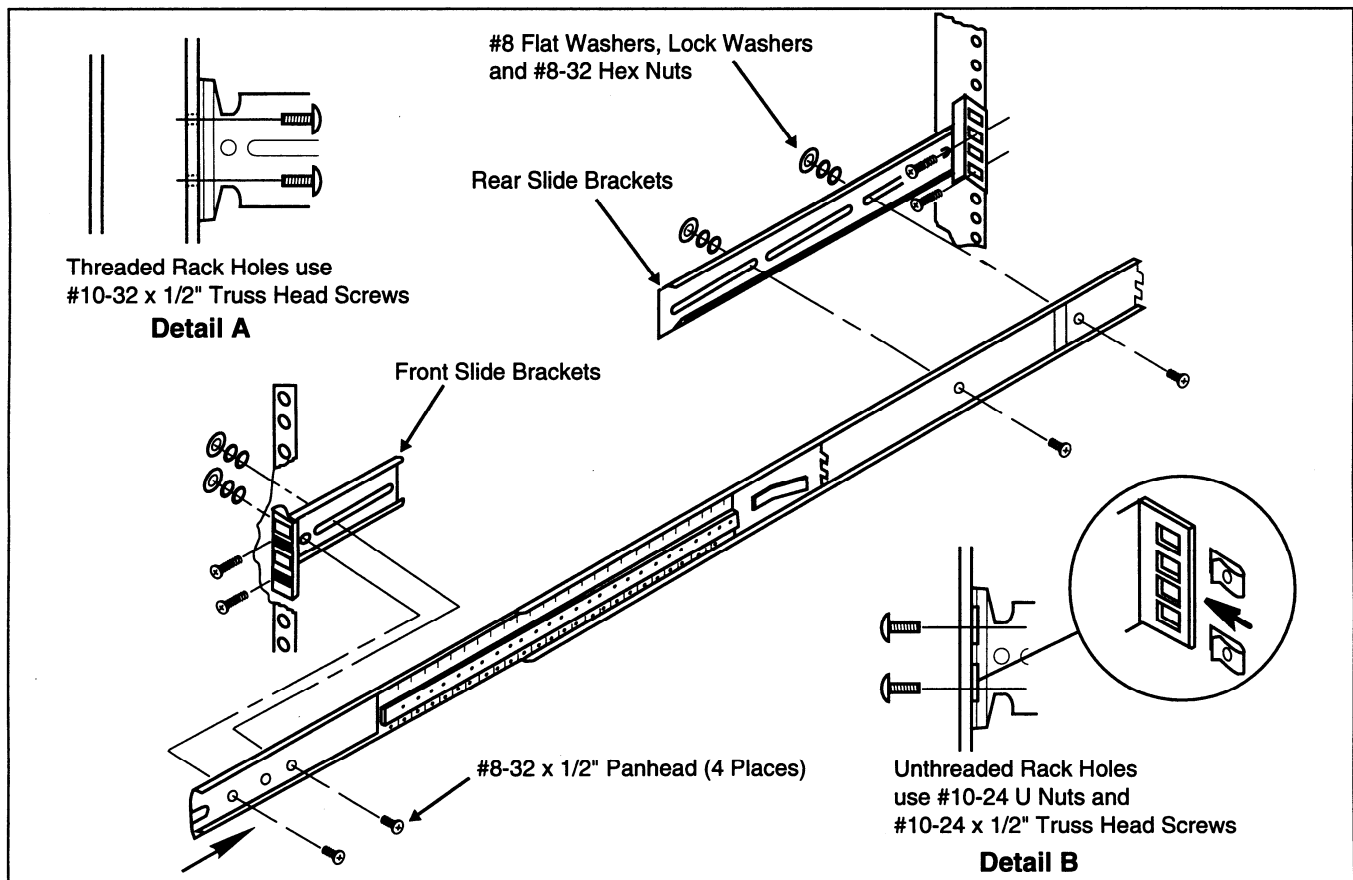
To install the Rack Mount Kit, proceed as follows:

1. Attach the rack ears to the device using two M4 x 16 mm or #8-32 x 1/2-inch pan-head screws for each ear (Figure 1).
2. Install the filler bars on the sides of the device using two #8-32 x 1/4-inch truss-head screws per bar (Figure 1). Make sure that the hole closest to the end of the filler bar is toward the front of the device.
3. Attach the slide rails to the filler bars using three #8-32 x 1/4-inch truss-head machine screws per rail (Figure 1). Mount the slide rail to the center row of holes on the filler bar.
4. Install the front slide brackets (shorter pair) to the rack mounting rails (Figure 2). Refer to Figure 3 for typical mounting locations. If your rack has threaded mounting rails, use two #10-32 x 1/2-inch truss-head screws (Figure 2, Detail A). If your rack has unthreaded mounting holes, use two #10-24 x 1/2-inch truss-head screws and two #10-24 U-nuts (Figure 2, Detail B).
5. Install the rear slide brackets (longer pair) to the equipment rack mounting brackets as described in step 4.
6. Attach the slides to the front brackets using two #8-32 x 1/2-inch pan-head screws, two #8 flat washers, two #8 lock washers, and two #8 hex nuts (Figure 2). Align the access hole in the slide by moving the slide in and out as necessary to access the screw heads.
7. Fully extend the slides to access the screw-heads and attach the slides to the rear brackets as described in step 6.
8. Plug the device onto the slide, unlock the slides and push the device into the rack.
9. Secure the device to the rack by fastening the rack ears to the mounting rails with two #10-32 x 3/4-inch decorative-head screws per ear. If your rack has unthreaded mounting rails, install two #10-32 U-nuts in appropriate places on the rail holes.



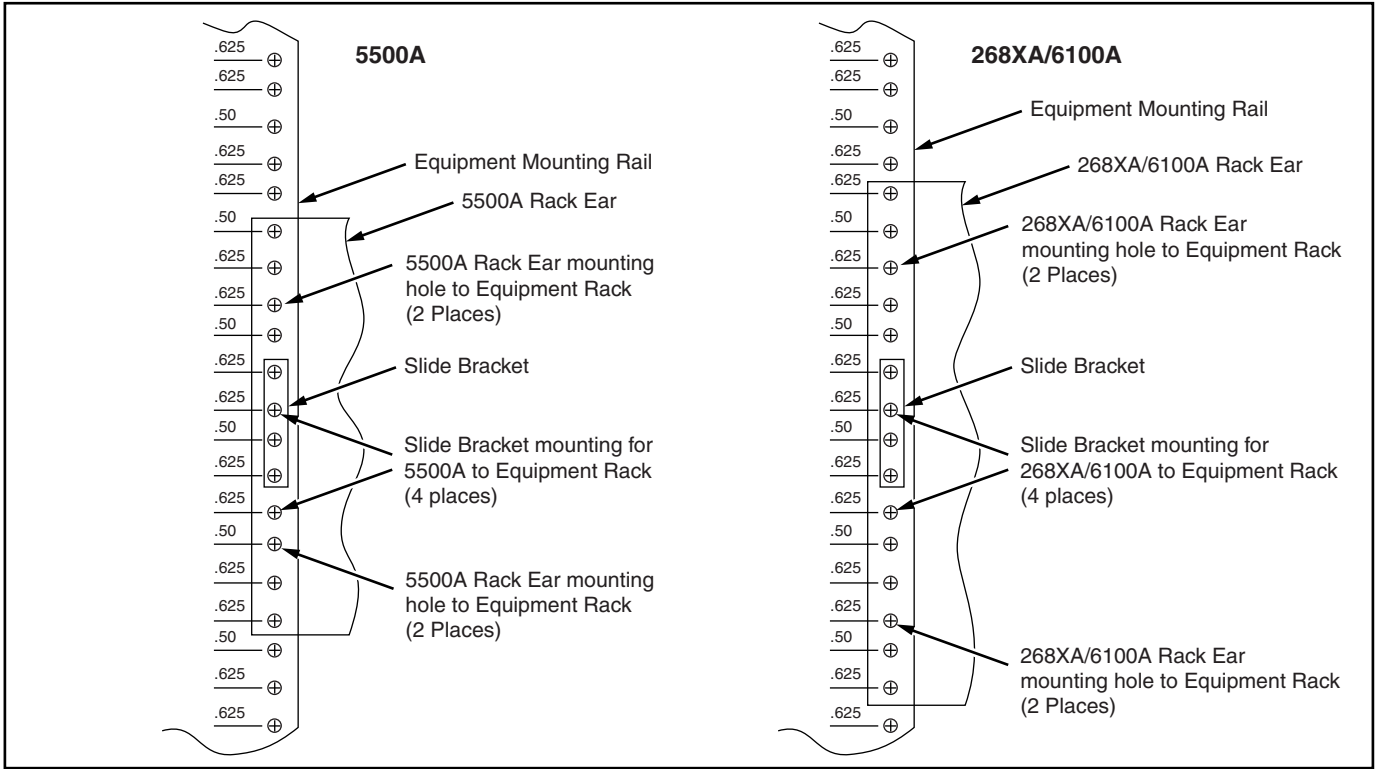
abf01f.eps

**Figure 1. Attaching Hardware to the Device**



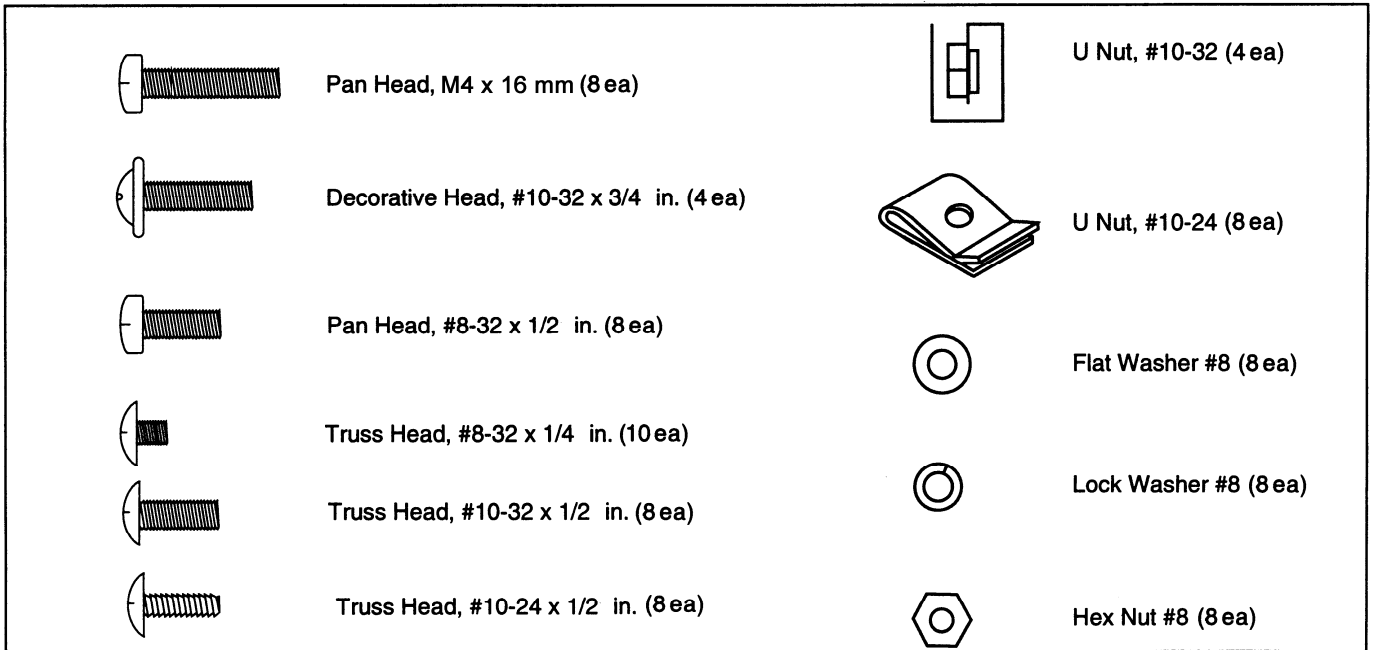
abf02f.tif

**Figure 2. Installing Rack Slides**



abf03f.eps

**Figure 3. Typical 5500A Mounting Locations**



abf04f.tif

**Figure 4. Screw Identification**

