

RPM4™ Rack Mount Kit

P/N 401929

INSTALLATION INSTRUCTIONS

FLUKE®

Calibration

RACK MOUNT KIT, P/N 401929, INCLUDES

QTY	PART NO	FIGURE CALLOUT	DESCRIPTION
1	123699	1	Front panel
2	124155	2	Side bracket
4	100972-Z	3	M4 hex nut
4	102668-Z	4	M4 split lock washer
4	101016-Z	5	M4 x 12 SHC screw
4	100918-Z	6	M4 flat washer
1	123703	7	Rear support bracket
1	123764-01	8	Foam gasket
4	103448-Z	N/A	M3 x 12 self-tapping screw

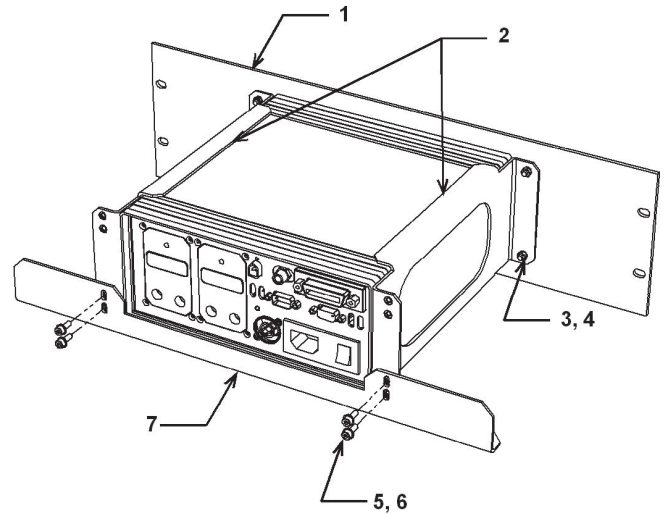


Figure 1. Rack Mount Kit

INSTALLATION INSTRUCTIONS

- Remove the four feet from the bottom of the RPM4™ by removing the screw and then removing the foot. Replace the screw with the shorter M3 x 12 self-tapping screw included in this kit. Repeat for the other three feet.
- Place one side bracket (2) on each side of the RPM4. Position each bracket with the front panel attachment flange (flange with two holes) facing the front of the RPM4.
- Attach the front panel (1) to the side brackets (2) using four M4 split lock washers (4) and four M4 hex nuts (3). Recommended torque is 3 Nm.
- Remove adhesive backing from foam strip (8). Adhere the foam strip to the rear support bracket (7), centering the foam as shown in figure 2.
- Attach the rear support bracket (7) to the side brackets (2) using four M4 flat washers (6) and four M4 X 12 SHC screws (5). Recommended torque is 3 Nm.
- For adequate support of the RPM4, the rear support bracket (7) shall be supported on the side rails of the rack system or by other means.

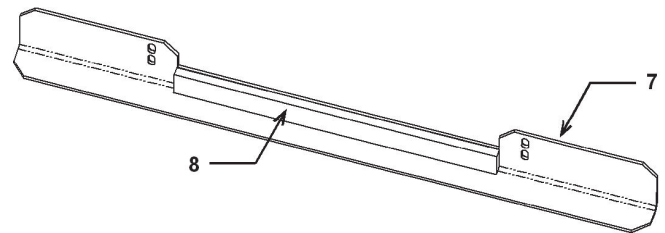


Figure 2. Rear Support Bracket and Foam