

Manual Supplement

Manual Title:	6332A/7342A Operators	Supplement Issue:	1
Print Date:	March 2017	Issue Date:	2/18
Revision/Date:		Page Count:	4

This supplement contains information necessary to ensure the accuracy of the above manual.

Change #1, 521, 531

On page 1, under **Introduction**, replace the last bullet with:

- USB and RS-232 computer interface

On page 32, replace the **Serial Baudrate** row with:

Serial Baudrate	9600, 19200, 38400, 57600, 115200, 230400. See <i>Remote Operation</i> .	Selects the bit rate for the computer interface port. The bus protocol is 8 data bits, 1 stop bit, no parity, and no flow control.
------------------------	--	--

On page 34, replace the **Remote Operation** and **Setup** sections with:

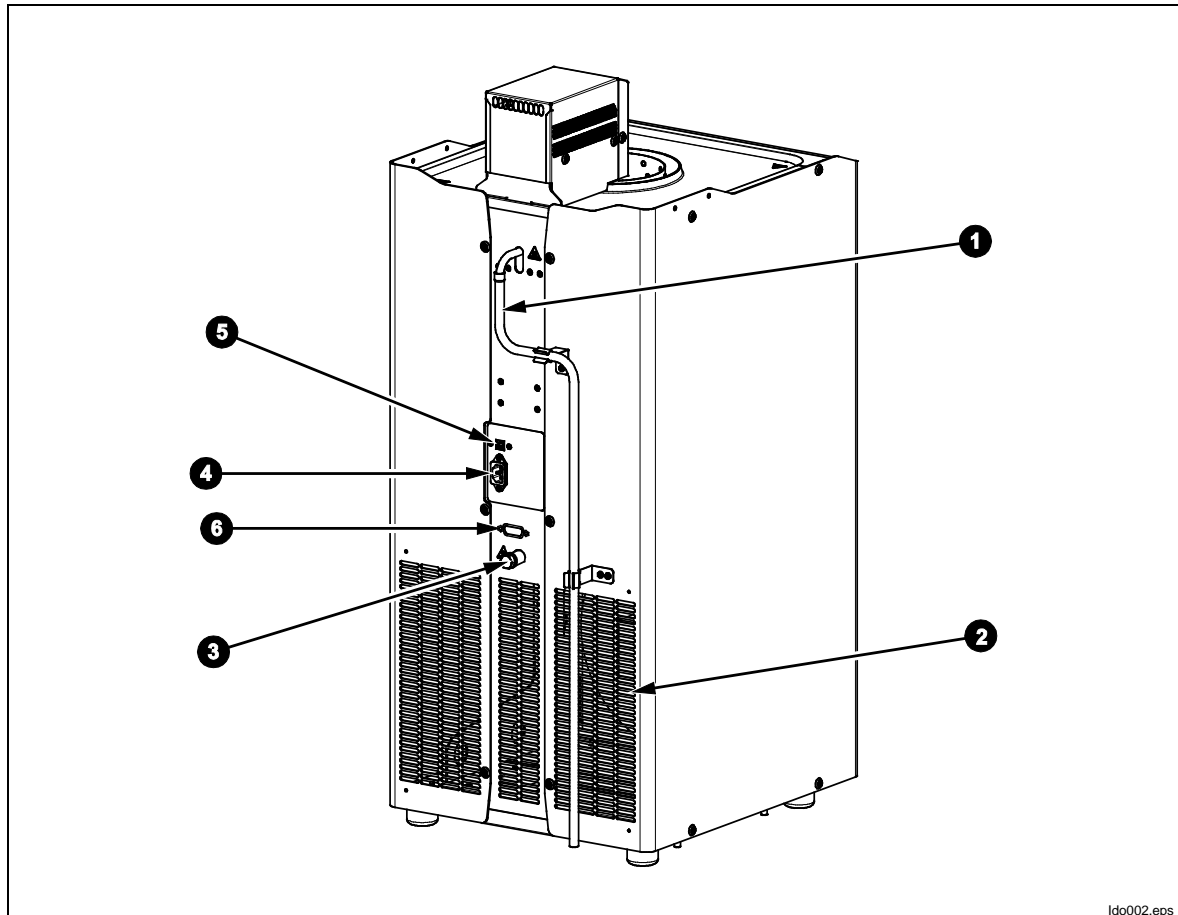
Remote Operation

A computer can control the Product with a serial interface.

Setup

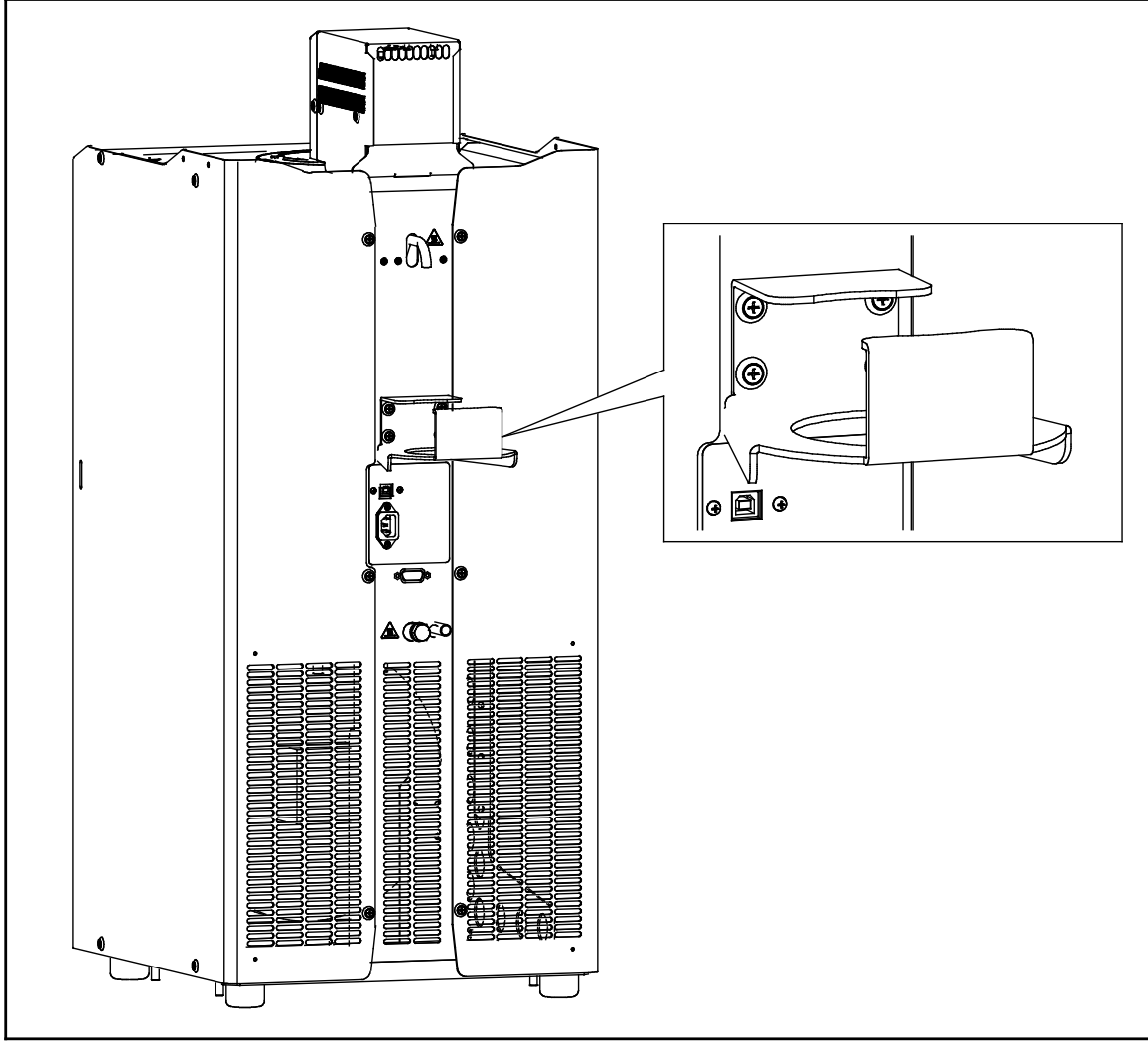
Connect the Product to the computer with a USB or RS-232 cable. Wait a few seconds for the Product to be recognized as a serial device. The serial interface appears as a virtual COM port on the computer.

Replace the Figures on pages 10, 27, 55 and 56 with:



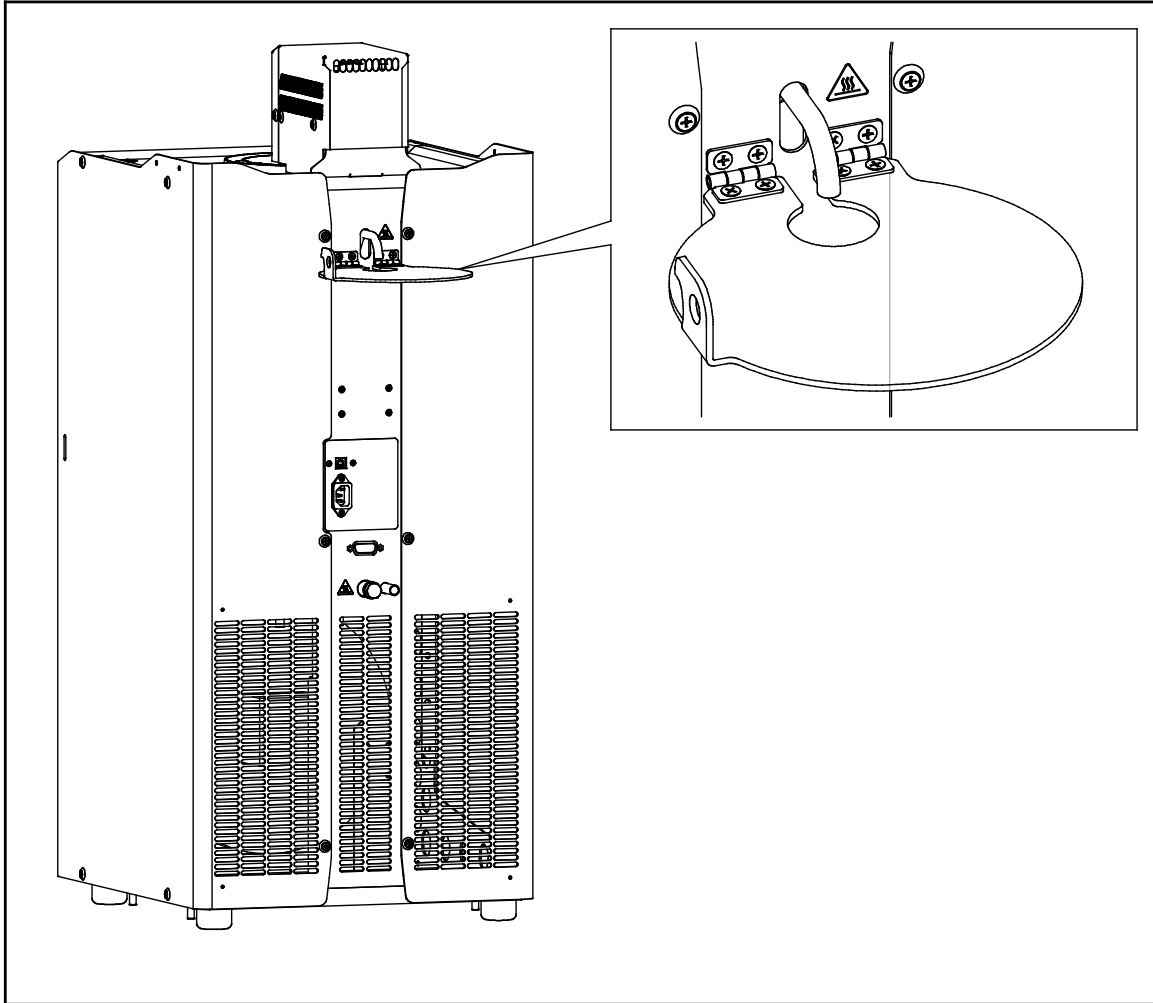
ldo002.eps

Item	Name	Function
1	Overflow drain tube	Drains expanding fluid into optional Overflow Container.
2	Rear air flow guard (7342A only)	Air flow from condenser fan. Cover protects condenser fan.
3	Tank drain tube	Drains tank of fluid.
4	Power entry module	Removable line cord receptacle.
5	USB input	USB Type B device connector.
6	RS-232 input	RS-232 device connector



Ido055.eps

Figure 12. Overflow Bracket installation



ldo007.eps

Figure 13. Overflow Container Dust Cover installation