



**//m CONNECTOR BLOC, P/N 402168,
INCLUDES:**

QTY	PART NO	DESCRIPTION
1	402169	//m connector bloc
2	101006-Z	M3 screw
2	102464-Z	M3 split washer
4	103345	Adapter, 1/8 in. M O-seal x 1/8 in. swage
1	560073	Instruction sheet

INTRODUCTION

The RPM4 //m connector bloc is an accessory for RPM4 parallel measurement mode operation. It supplies single **TEST(+)** and **TEST(-)** ports to assure a simple, leak free connection to both of the RPM4's Q-RPTs in parallel.

The //m connector bloc can only be used with RPM4s that have two Q-RPTs of A7M or lower. Maximum working pressure is 7 MPa (1 000 psi).

INSTALLATION INSTRUCTIONS

- ❶ Install the four 1/8 in. M O-seal x 1/8 in. swage adapters on the RPM4 **TEST(+)** and **TEST(-)** ports (2). Remove the nuts and ferrules from each one of the adapters.
- ❷ Remove the two Philips head screws from the extreme right and left hand corners of the RPM4 Hi and Lo Q-RPT modules (1, 3).
- ❸ Remove the cover of the //m connector bloc by removing the two top (5) and two lateral (4) button head socket screws.
- ❹ Connect the four 1/8 swage F connections of the //m connector (6) to the four 1/8 swage M adapters on the RPM4 **TEST(+)** and **TEST(-)** ports.
- ❺ Attach the //m connector bloc (7) to the RPM4 using the two M3 screws supplied with the kit. Install the screws in the lower right hand corners of the Q-RPT modules (1, 3).
- ❻ Leak check all connections and reinstall the //m connector bloc cover.

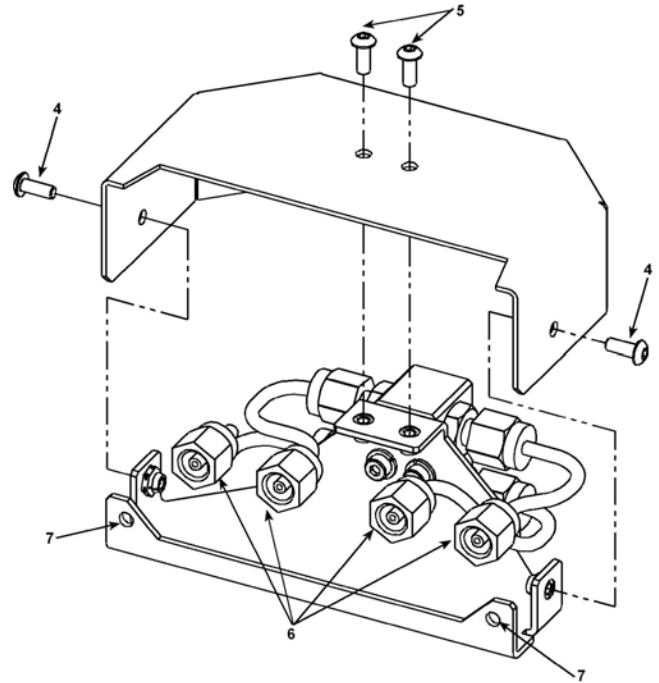


Figure 1. //m connector bloc

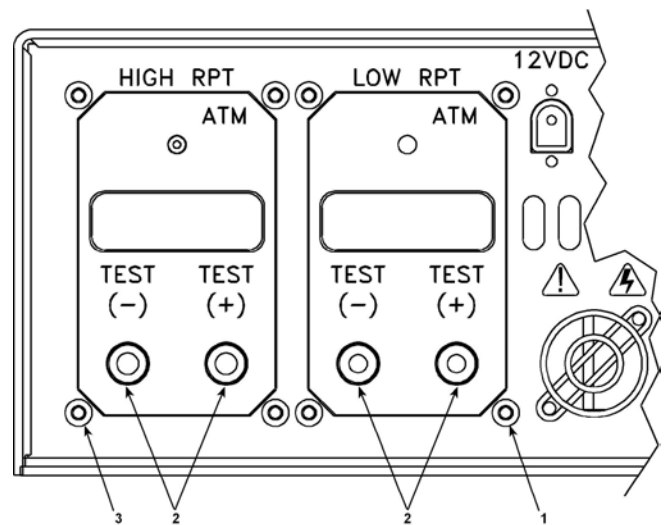


Figure 2. RPM4 rear panel Q-RPTs
(2 Q-RPTs of A7M or lower)